

The most important user functions of the b-touch control panel

Touch the screen to set the various functions.



The auto-active control adjusts the air curtain fully automatically to all circumstances around the door. Without paying attention to the air curtain, the greatest possible comfort and least possible energy consumption are guaranteed.

❶ Switching the air curtain on and off

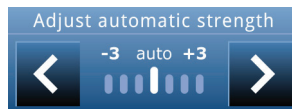
❷ Set Temperature



❸ Automatic or manual control

It is recommended to use the automatic mode: it operates according to the auto-active control.

❹ Adjust the strength of the air curtain



In automatic mode (CHIPS), the strength and temperature of the air curtain are controlled automatically. This automatic setting can be adjusted.



With manual setting it is recommended to select the lowest strength at which no draught occurs.

❺ Main menu

Here you can make settings to adjust the function of the air curtain to your specific situation.

❻ Lock the screen

Unlocking: touch the screen for 5 seconds.

❼ Filters

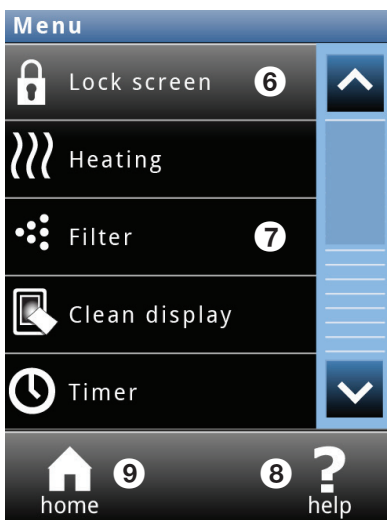
Dirty filters reduce the effectiveness of the air curtain. It is therefore necessary to clean or replace the filters at regular intervals (see rear side). It is possible to adjust the cleaning interval.

❽ Help function

For additional information.

❾ Home

You return to the Home screen.



Maintenance

Cleaning the filter

1. Select **Menu>Filter>Clean filter** on the control panel.
2. Wait until the fans have stopped and heat exchanger has cooled down.
3. Clean the filter by using a vacuum cleaner or replace the filters.
4. Select **OK** on the control panel when you have finished cleaning or replacing the filters. The service life of the filters is then reset to zero.

Free-hanging models

1. Remove the grille from the air inlet grille: slide the grille upward, lift the grille a little up and remove it from the frame.
2. Cleaning and replacing the filter. Please ensure that you put it back correctly into the air inlet grille.


Recessed and cassette models

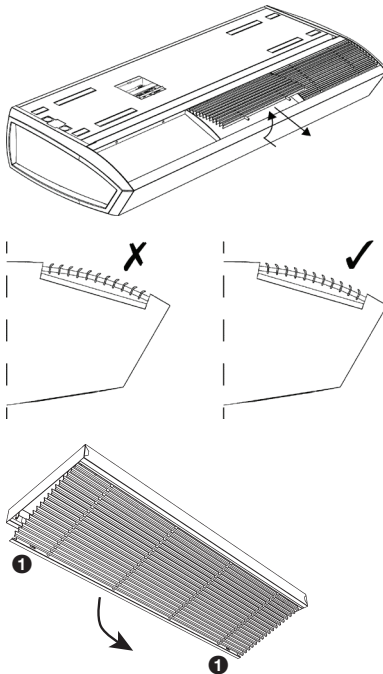
1. Open the inlet grille, push the two pins in the ❶ grille towards one another: the grille will tilt down.
2. Slide the filter out of the grille.
3. Clean or replace the filter.

Cleaning the unit

You may clean the exterior of the unit with a damp cloth and a domestic cleansing agent. Do not use any solvents and make sure that no water runs into the unit.

Faults

Touch  for further information on the fault and for instructions as to how to react. For more information please see chapter 5 of the manual Comfort Air Curtain, model SensAir or contact your installer.



This card provides concise information only. For more detailed information we refer to the manual of the Comfort Air Curtain, model SensAir.

Name and telephone number installer:

